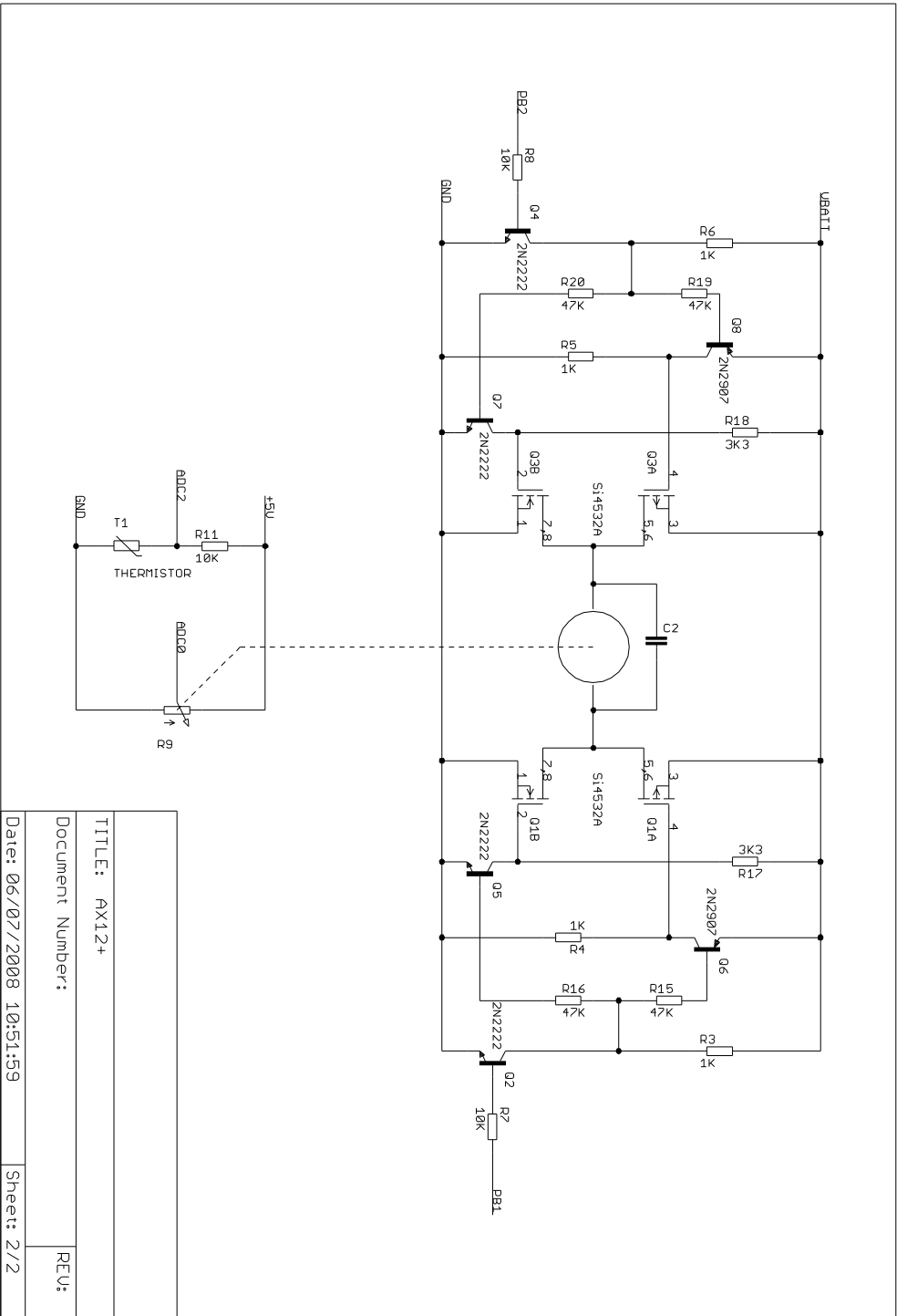


TITLE: AX12+

Document Number: REV:

Date: 06/07/2008 10:51:59 Sheet: 1/2



TITLE: AX12+

Document Number:

REV:

Date: 06/07/2008 10:51:59

Sheet: 2/2